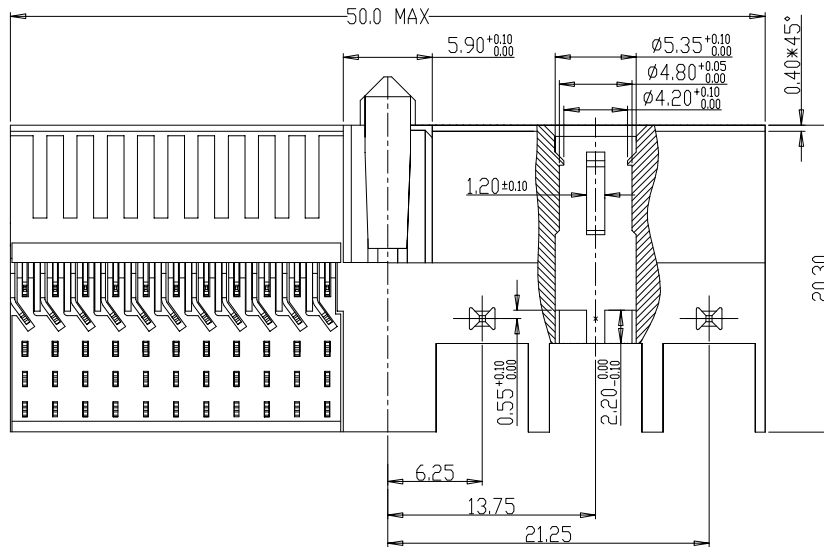
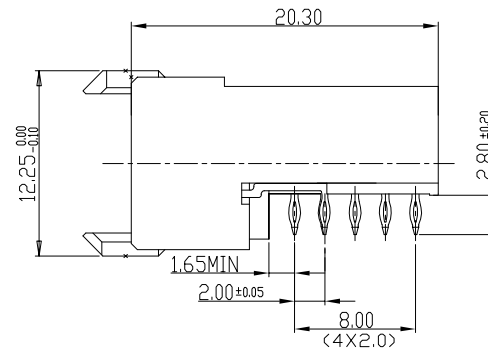
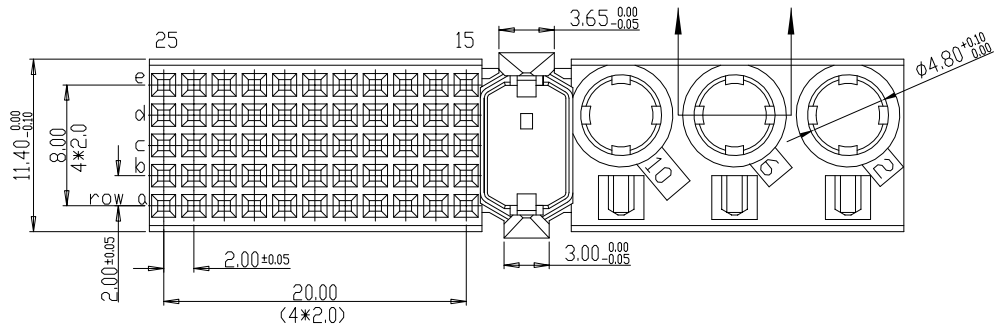


Tous droits strictement reserves. Reproduction ou communication a des tiers interdite sous quelque forme que ce soit sans autorisation écrite du propriétaire. Propriete de c FCI. Droits de reproduction FCI.



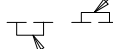
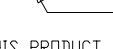
All rights strictly reserved. Reproduction or issue to third parties in any form whatever is not permitted without written authority from the proprietor. Property of FCI. Copyright FCI.



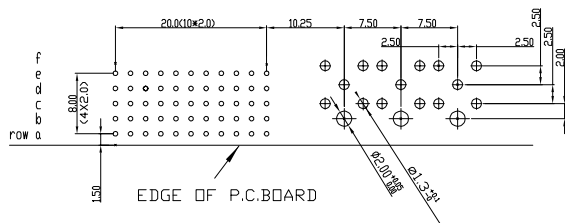
PERFORMANCE CHARACTERISTICS

CURRENT RATING: 1.5 A AT 20°C (FULLY LOADED)
 1 A AT 70°C (FULLY LOADED)
 RATED VOLTAGE: 500 V AC (CONT /CONT)
 OPERATING TEMPERATURE : -55°C TO 125°C
 CONTACT RESISTANCE :20 mΩ MAX
 INSERTION FORCE: 0.75N MAX/CONT
 EXTRACTION FORCE : 0.15N MIN /CONT
 INSULATION RESISTANCE: 10⁴ MΩ MIN


NOTES

-  LEAD FREE INDICATOR :LF=LEAD FREE
 PERFORMANCE LEVEL INDICATOR
 (REF DWG NO.BS.C.201844.003)
- THIS PRODUCT IS CSA APPROVED.
THIS PRODUCT IS UL RECOGNIZED.
- FOR RECOMMENDED PTH DIMENSIONS REFER DRAWING :BS.A.201572.001
- THIS PRODUCT (LF) MEETS EUROPEAN UNION DIRECTIVES AND OTHER COUNTRY REGULATIONS AS DESCRIBED IN GS-22-008

LAY-OUT
P.C.B.- HOLE



rev	ecn no	dr	date
A	CONVERSION REVISION 03	BKP	16-02-04
B	DG05-0381	Kasari	10-10-05

Material		Spec ref		
Mat code		tolerance	projection	MM
Heatreat		✓	⊕	
Plating/Finish		1DEC±0.2 1DEC 2DEC ± 0.10 2DEC ANGLES±1°HÖEKEN	size	Scale
Dr	W.Panis	070492	A4	1.500
Eng		Product family	MILLIPICS	
Chr		Model Name	ECN	
Appr		Model Revision	REL Level	
 title		MPACS 5+2R RA RCP CONN TYPE M		Rev.
Pro/E file	catalog no	HM2R50PA5100----	CUMSTOMER	sheet 1 of 1
			dwg no	BS,C ,201418,024